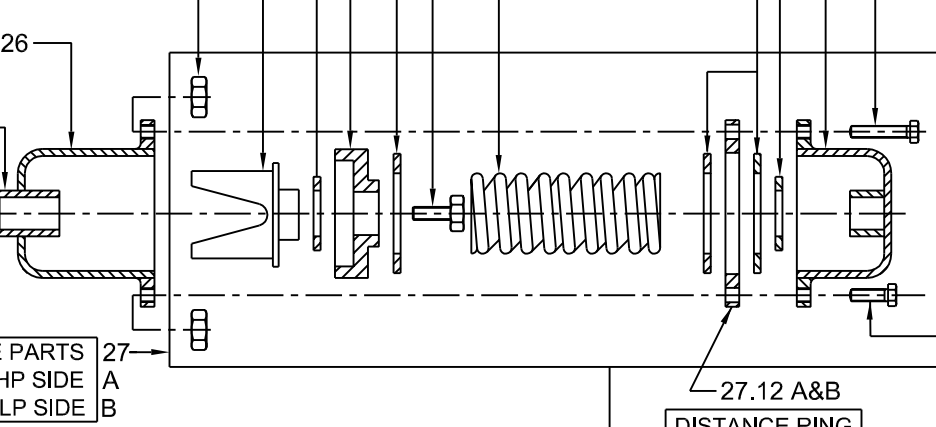


- CUP SPRING
CC6 13 003 50
- RING TEFLON
CC6 13 002 50
- VALVE GUIDE
CC6 13 001 50
- HEX NUT
JJ9 06 623 50

- 27.4
- 27.3
- 27.2
- 27.1
- 27.13
- 27.5
- 27.6

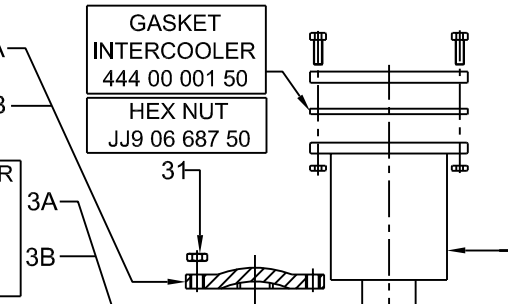
- 27.11 GASKET
JJ3 00 306 00
- 27.7 RING ADJUSTING
CC6 13 008 50
- 27.8 TOP HSG ASSLY
CC6 13 009 50
- 27.9 A&B HEX HD SCREW
JJ9 01 628 50

- BOTTOM HSG ASSLY
CC6 13 015 50
- PIPE FOR SEAT
CC6 13 017 50
- 26
- 25
- 27 SET OF SAFETY VALVE PARTS
SINGLE & TWO STAGE HP SIDE
TWO STAGE LP SIDE



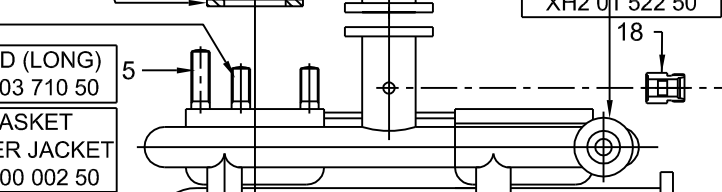
- 27.10 A&B HEX HD SCREW
JJ9 01 625 50
- 27.12 A&B DISTANCE RING
CD2 15 003 50

- CYLINDER COVER
XH2 28 100 50
EXCEPT MX 400,310
XH4 28 100 50
FOR MX 400,310
- 2A
- 2B
- GASKET FOR CYL COVER
XH2 28 650 50
EXCEPT MX 400,310
XH4 28 740 50
FOR MX 400,310
- 3A
- 3B



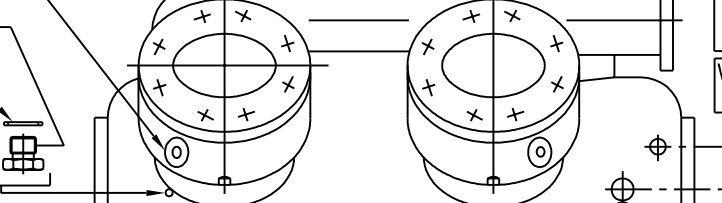
- GASKET INTERCOOLER
444 00 001 50
- HEX NUT
JJ9 06 687 50
- 31
- UNION NUT
JJ9 16 063 50
- FERRULE
JJ9 16 001 50
- INTERCOOLER
- WELDING NIPPLE
XH2 01 522 50
- 18
- FERRULE
JJ9 16 019 50 OR
JJ9 16 027 50
19 OR 29
- CYLINDRICAL PIN
JJ9 09 650 50
- 23
- WELDING NIPPLE
XH2 01 500 50 OR
XH2 01 520 50
17 OR 28

- STUD (SHORT)
JJ9 03 700 50
- 4
- STUD (LONG)
JJ9 03 710 50
- 5
- GASKET WATER JACKET
444 00 002 50



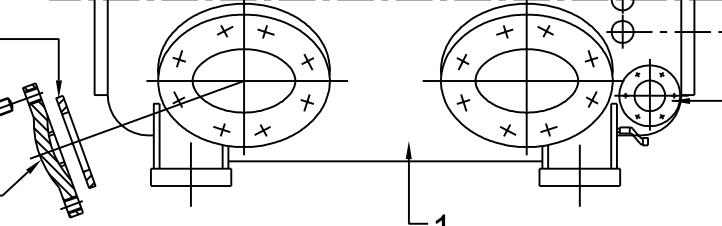
- UNION NUT
JJ9 16 079 50
- FERRULE
JJ9 16 019 50
- WELDING NIPPLE
XH2 01 500 50
- 17

- BLIND PLUG
JJ9 30 950 50
- 7
- PACKING
JJ9 18 525 50
- 6
- NON RETURN VALVE
XH2 06 000 50
- 8



- CYLINDRICAL PIN
CC0 24 010 50
- 24

- GASKET FOR SIDE COVER
JJ3 00 311 00
- 9
- HEX HD SCREW
JJ9 01 690 50
- 11
- SIDE COVER
XH2 28 110 52
- 10



- UNION NUT
JJ9 16 079 50 OR
JJ9 16 087 50
- 20 OR 30
- HEX HD SCREW
JJ9 01 624 50
- 15

CRANKCASE ASSEMBLY		
A	XH2 01 025 50-MX 200	G
B	XH3 01 025 50-MX 300	H
C	XH4 01 025 50-MX 400	I
D	XH6 01 000 51-MX 600	J
E	XH0 01 000 51-MX 900	K
	CD2 01 000 50-MX 210	L
	CD3 01 025 50-MX 310	
	CD4 01 000 50-MX 420	
	CD5 01 000 50-MX 510	
	CD6 01 000 50-MX 630	
	CD7 01 000 50-MX 720	

- GASKET FOR SIGHT GLASS
JJ3 00 305 00
- 12
- 14
- 13
- OIL LEVEL GLASS COVER
XH2 28 180 50
- OIL LEVEL GLASS
XH2 28 170 50